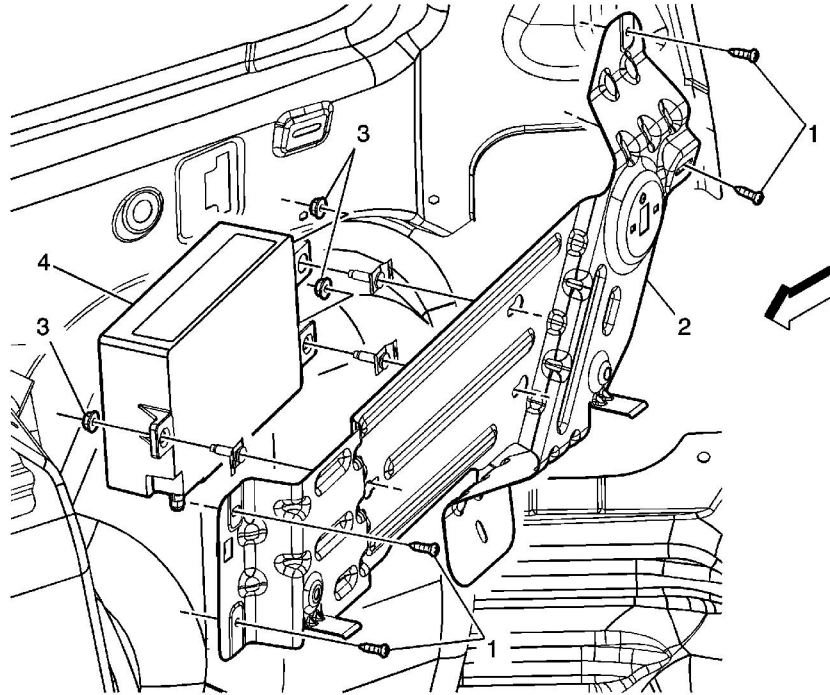


Communication Interface Module Replacement



| Callout | Component Name |
|---|---|
| <p>Preliminary Procedures</p> <ol style="list-style-type: none"> 1. Remove the rear seat. Refer to Rear Seat Replacement. 2. Remove the right rear quarter lower trim panel. Refer to Quarter Lower Rear Trim Panel Replacement. | |
| 1 | <p>Quarter Inner Trim Panel Bracket Screw (Qty: 4)</p> <p>Caution: Refer to Fastener Caution in the Preface section.</p> <p>Tighten 10 N·m (89 lb in)</p> |
| 2 | <p>Quarter Inner Trim Panel Bracket</p> |
| 3 | <p>Communication Interface Module Nut (Qty: 3)</p> <p>Tighten 10 N·m (89 lb in)</p> |
| | <p>Communication Interface Module</p> <p>Procedure</p> |

© 2011 General Motors Corporation. All rights reserved.

4

1. Disconnect the electrical connector.
2. Reprogram the communication interface module after installation. Refer to [Control Module References](#).
3. When replacing the communication interface module be sure to transfer Bluetooth Antenna, if equipped.